



Rubber Tapping Simplified

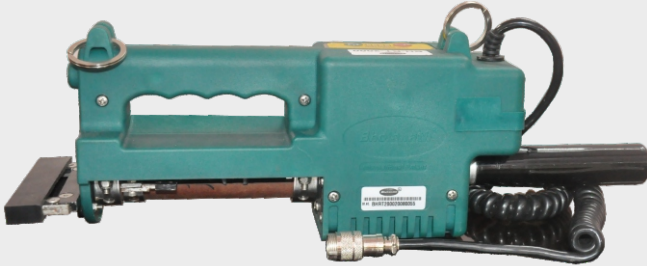
RUBBER BOARD INDIA APPROVED

User's Manual For

Bholanath Rubber Tree Tapping Machine

"BH-RT-2000 & BH-RT-3000VT"

MADE IN INDIA



Rubber Tapping Simplified

RUBBER TREE TAPPING MACHINE Manufactured By

FACTORY :- Plot No. 1, Gut No.203, Dahagaon Wada Road,
Off. Mumbai Nashik Highway, Opp. Jindal Steel Factory,
Taluka- Shahapur, Dist. Thane- 421 604

OFFICE :- Unit no. 11, Kembros Ind. Est., Nr. Asian
Paints Company, Sonapur Lane, Bhandup (W),
Mumbai- 400078

✉ : support@bholanath.in | Website: www.bholanath.in

Ph. No. :- +91-22-25664338 / 25662856 / 67993260

Version - 1.1



Rubber Tapping Simplified

Dear Customer,

Greetings to you from Bholanath Precision Engg. Pvt. Ltd.(BPEPL)

Thank You for choosing a BHOLANATH RUBBER TREE TAPPING MACHINE. We have provided this Operating Manual for you to have better understanding about our product, its installation and operating procedures. We at BPEPL constantly strive to simplify our customer's rubber tapping experience and this manual will help in achieving the same.

You will also find a warranty card enclosed along with this product.

Wish you a happy tapping experience!!

If you seek any clarification, please mail us at support@bholanath.in
nisha.k@bholanath.in

[or call us on](#)

Mr. Aby Abraham +91-9910571028/+91-9946354334

Mr. Maju Mathews .+91-9811610907

Mr. Ambar Koiri:- +91-9920903825/+91-9322820165

Mr. Vivek Koiri:- +91-9930514603

Mr. Ajit Singh:- +91-9892947889

Head Office :- 91-22-25664338/25662856/67993260

Best Regards

Team BPEPL

Training Videos Links

<https://www.youtube.com/watch?v=kEcdFtvVbMU> (Training Video Hindi)

<https://www.youtube.com/watch?v=RgMjHdai0oo> (Training Video English)

Index

1. Introduction.....	Page. No. 4
2. Technical specification.....	Page. No. 5
3. Rubber Tree Tapping Components.....	Page. No. 5
4. Rubber Tree Tapping Machine	
Isometric View.....	Page. No. 6
Lists Of Items.....	Page. No. 7
5. Setting Nut Bolt For Depth of cutting.....	Page. No. 10
6. Connection	
Rubber tree tapping machine to rechargeable charger....	Page. No. 11
Rechargeable battery to battery charger.....	Page. No. 11
7. General Instruction.....	Page. No. 11
8. How to use Rubber Tree tapping Machine.....	Page. No. 12
9. safety and maintenance instruction	
work area.....	Page. No. 12
electrical safety.....	Page. No. 12
personal safety.....	Page. No. 13
Rubber Tree Tapping Machine Care.....	Page. No. 13
Battery Charger and Rechargeable battery care.....	Page. No. 13
Lubrication.....	Page. No. 14
Adjustment screw for walker.....	Page. No. 14
Locking grub screw walker.....	Page. No. 15
10. Warranty Certificate.....	Page. No. 16

INTRODUCTION

Highly efficient and reliable Internationally Patented New automated portable machine for rubber tree tapping.

This product is for rubber tree farm use only.

“BH-RT-2000 Rubber Tapping Machine (RTM)”

With the introduction of the motorised rubber tree tapping machine “BH-RT-2000-RTM”, we have made the highly skilled rubber tapping job, an easy job through automation.

Very simple to use and can be learned by any farmer/tapper easily.

The machine will help to increase the life of the rubber tree by upto 15 years as the cut on the bark of the tree is perfect and adjusted exactly from 1mm to 4 mm tapping depth with the help of inbuilt sensors.

Any Unskilled person can easily perform rubber tapping with ease and perfection without causing harm to the tree as there is no external pressure exerted on tree. The person has to just place the machine on the bark of the tree and then the machine follows the channel/groove on the tree with its own weight.

FEATURES

1. Rubber tree tapping machine is warranted for 2 years from date of sale.
2. Internationally Patented.
3. High Performance and High Torque using Stepper motor Technology.
4. Heavy duty all season weather proof new generation plastic body.
5. Hardened and sharpened blade provided for long life.
6. CE certified, 100 % shock protected with IP64 rating for use in light rainy condition.
7. Power consumption is 100 Watts with battery time of 6-8 Hrs when fully charged.
8. Battery charging time is two hours.
9. Battery life is warranted for 1 years.
10. Machine is equipped with LED light for night tapping & LED Torch for better vision.
11. Battery life indicator.

ADVANTAGES

1. You save on labour cost.

You can easily tap 100 to 150 trees per hour.

2. You get more latex per tree as life expectancy of tree is increased.

You can easily tap 100 to 150 trees per hour. Bholanath Rubber tree tapping machine taps the tree uniformly, hence complete latex of the tree is collected.

On an average 15-18% more latex per block collection has been recorded.

Life of the tree increases by 15 yrs as you are tapping exactly 1 mm.

(it is adjustable from 1 mm to 4 mm) and due to sensors tree is not damaged.

3. You don't need an experienced tapper to tap the rubber tree

TECHNICAL SPECIFICATION

POWER CONSUMPTION	150 Watt
INPUT VOLTAGE	160-285 VAC
FREQUENCY	50/60 Hz
BATTERY LEVEL INDICATOR	0-100 %
HIGH TEMPERATURE PROTECTION	Automatic cut off at 70°C, Cooling time - 10 minutes
WEIGHT	Approx 1.8 Kg

Rubber Tree Tapping Components

1. Rubber Tree Tapping machine



2. Rechargeable Battery



3. Battery Charger



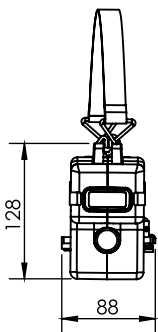
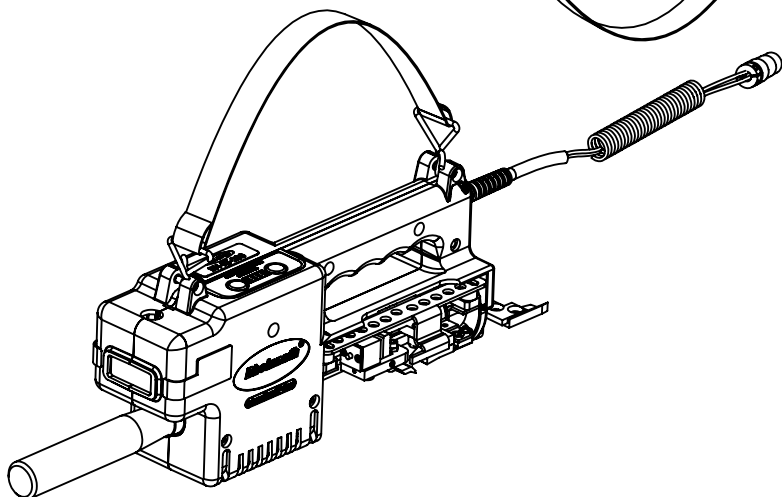
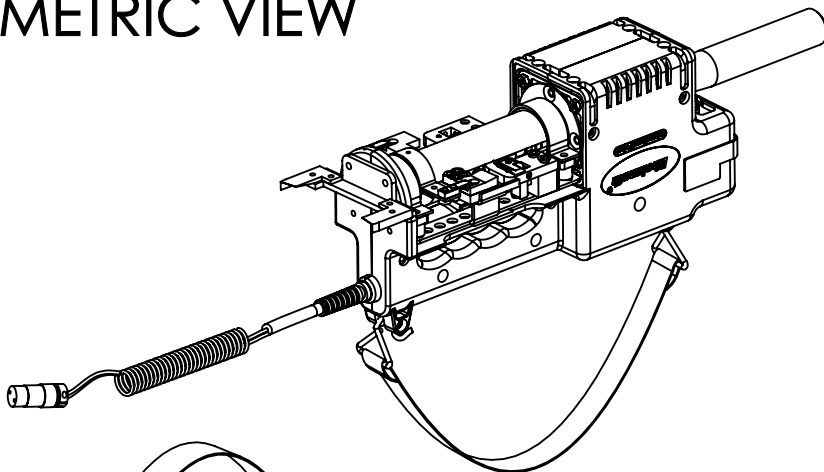
4. Tool Kit



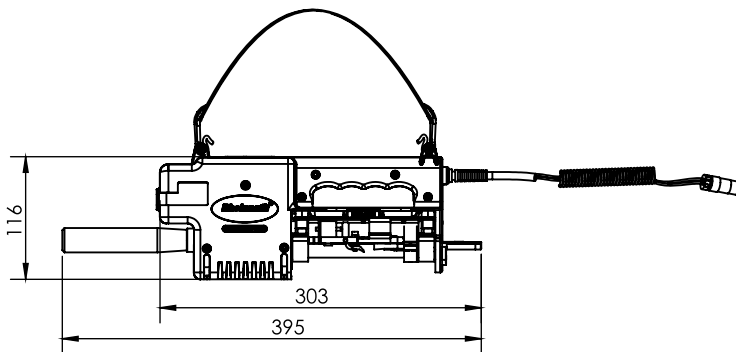
5. Pouch



ISOMETRIC VIEW



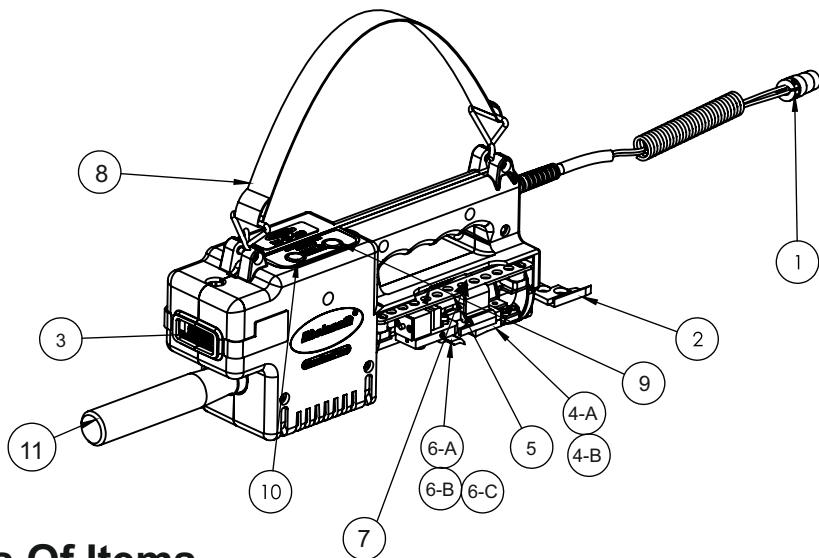
LEFT SIDE VIEW



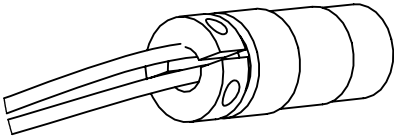
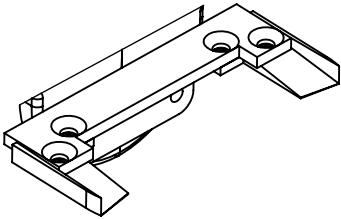
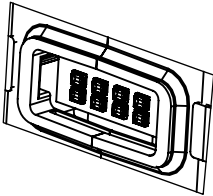
FRONT VIEW

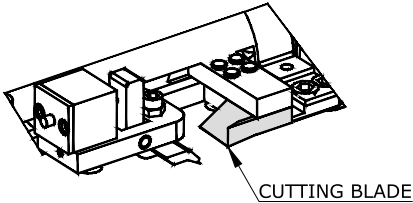
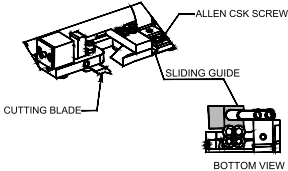
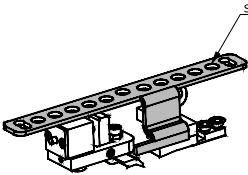
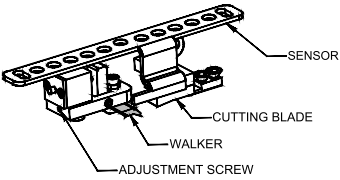
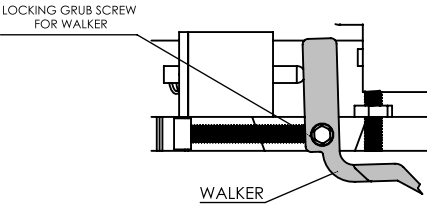
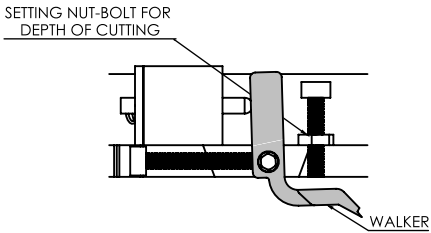
RUBBER TREE TAPPING MACHINE

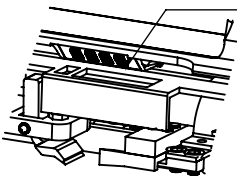
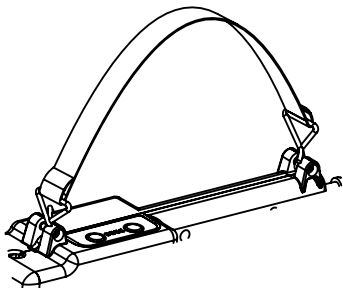
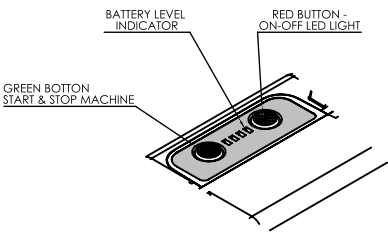
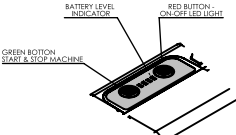
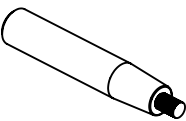
"BH-RT-2000"



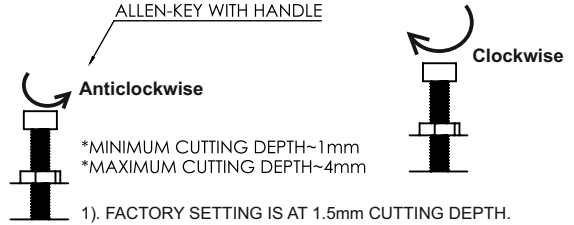
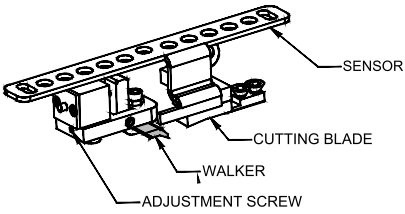
Lists Of Items

1		<p>MALE CONNECTOR:- The connector is use to connect to the battery terminal. It is use to run the Rubber tree tapping machine.</p>
2		<p>RTM REAR BLADE:- It is use to cut the start point and end point of groove/channel. For END POINT-Path clearance for latex collection. FOR START POINT- To help rubber tree tapping machine to properly start the cutting of bark on the tree.</p>
3		<p>FRONT LED:- It is use for better vision during night.</p>

<p>4A</p>		<p>CUTTING BLADE:- It is use to cut bark of tree while rubber tree tapping machine is in operation.</p>
<p>4B</p>		<p>SLIDING GUIDE:- It helps to guide cutting blade of rubber tree tapping machine.</p>
<p>5</p>		<p>MECHANICAL SENSOR:- It is use to guide the rubber tree tapping machine so that the depth of the cut is maintained as per the user.</p>
<p>6A</p>		<p>WALKER:- It helps the rubber tree tapping machine to move forward along the groove/channel set by user.</p>
<p>6B</p>		<p>GRUB SCREW FOR WALKER It tightens the walker.</p>
<p>6C</p>		<p>GRUB SCREW FOR WALKER It helps to set the depth of cut.</p>

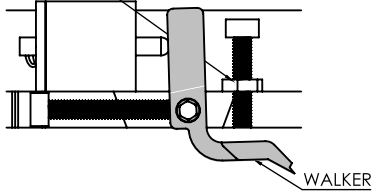
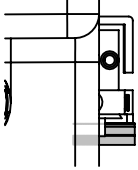
<p>7</p>	<p>INSIDE LED LIGHT</p> 	<p>NIGHT TAPPING LED LIGHT Its help the rubber tapper for night tapping</p>
<p>8</p>		<p>BELT:- To carry the rubber tree tapping machine.</p>
<p>9</p>		<p>LED LIGHT BUTTON short press to switch on the LED lights. Long press the button will indicate the battery level indicator.</p> <p>LEVEL INDICATOR</p> <ul style="list-style-type: none"> ☰ → 75% to 100% battery life ☷ → 50% to 75% battery life ☶ → 25% to 50% battery life ☵ → Less than 25% battery life <p>No indication battery fully discharged (please charge the battery)</p> <p>Note:- LED glow status ☰</p>
<p>10</p>		<p>RTM ON/OFF SWITCH The button is use to switch ON/OFF the rubber tree tapping machine</p>
<p>11</p>		<p>HANDLE:- It is use to handle rubber tree tapping machine.</p>

SETTING NUT-BOLT FOR DEPTH OF CUTTING



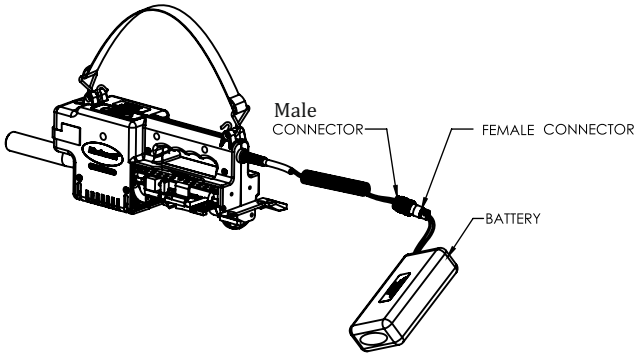
- 1). FACTORY SETTING IS AT 1.5mm CUTTING DEPTH.
- 2). ONE HALF ROTATION CLOCKWISE CUTTING DEPTH WILL INCREASE BY 0.25mm
- 3). ONE FULL ROTATION CLOCKWISE CUTTING DEPTH WILL INCREASE BY 0.5mm

SETTING NUT-BOLT FOR DEPTH OF CUTTING

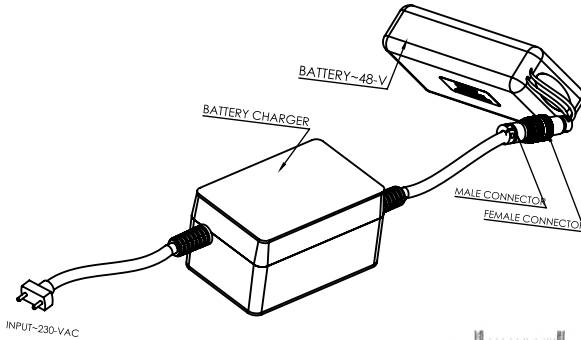


CONNECTION

1. RUBBER TREE TAPPING MACHINE TO BATTERY CHARGER

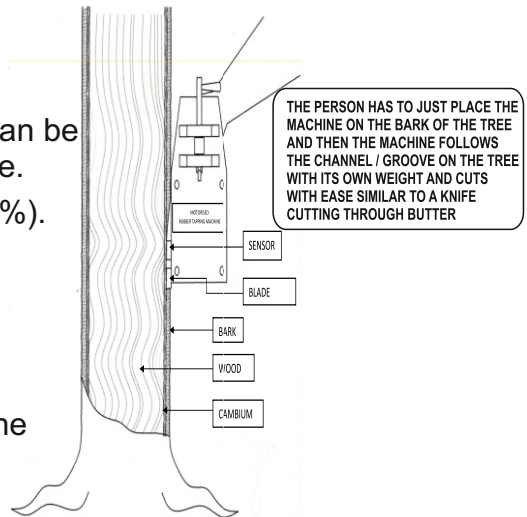


2. RECHARGEABLE BATTERY TO BATTERY CHARGER



GENERAL INSTRUCTION

1. The rubber tree tapping machine can be continuously run without any hassle.
2. Please charge the battery (full/100%).
3. For reference, battery life indicate provided.
4. For reference, battery life indicate provided.
5. Please oil the necessary parts of the machine.



HOW TO USE RUBBER TREE TAPPING MACHINE

1. If the channel /groove path present and it is not clear or presence of dry latex .kindly use latex remover tool provided.
2. Set the depth of cut (1mm-4 mm) by adjustment of screw with and Allen screw.
3. Set the groove/channel 35° to 45° on the tree.

(KINDLY CHECK WITH TEMPLATE)

4. Connect battery to rubber tree tapping machine.
5. Switch on the rubber tree tapping machine.
6. First cut the top end of the channel with front knife, for good latex flow & machine sitting.
7. Now just place the rubber tree tapping machine on the channel/groove with respect to mechanical sensor .The sensor should be touched to the bark of the tree so that the depth of the cut will be maintained as per the user.
8. Walker helps the machine to move forward so the machine itself follows the channel/groove.
9. Machine would follow the channel upto the distance set by the user.
10. After tapping cut end of the channel with front knife for good latex flow

SAFETY & MAINTENANCE INSTRUCTIONS

I.WORK AREA

- A. Do not operate rubber tree tapping machine in explosive atmospheres, such as presence of flammable liquid, gases.
- b. Keep children and bystanders away while operating a rubber tapping machine

II.ELECTRICAL SAFETY

- a. Rubber Tapping tree machine (RTM) plug must match the outlet. Never modify the plug in any way.
- b. Do not abuse the cord.
- c. Do not touch live electrical parts

III. PERSONAL SAFETY

- a. Stay Alert. Do not operate the tool when you are tired or under the influence of drugs, alcohol.
- b. Remove any adjusting key or wrench before turning the rubber tree tapping machine.

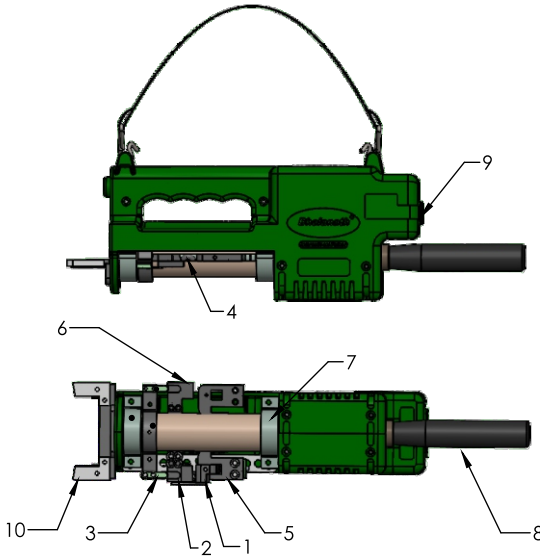
IV. RUBBER TREE TAPPING MACHINE (RTM) CARE

- a. Do not use the rubber tree tapping machine if the switch does not turn on and off.
- b. Disconnect the plug from the power source before making any adjustment, changing accessories or storing rubber tree tapping machine.
- c. Store idle rubber tree tapping machine out of reach of children and do not allow persons unfamiliar with the rubber tapping machine.
- d. Maintain rubber tree tapping machine. Check for misalignment or binding of moving parts, breakage of any parts and any other condition that may affect the rubber tree tapping machine.
- e. Keep cutting edges sharp and clean.
- f. Use the rubber tree tapping machine, accessories in accordance with these instructions and in the manner intended for the particular type of rubber tree tapping machine, taking into account the working conditions and the work to be performed.

I. BATTERY CHARGER AND BATTERY CARE

- a. Recharge only with the charger specified by the manufacturer.
- b. Use rubber tapping machine only with specifically designated battery pack
- c. When battery pack is not in use, keep it away from metal object like paper clips, coins ,keys etc thus avoiding shorting of battery terminals.
- d. Do not expose the battery charger and battery to water.
- e. Never attempt to charge non-rechargeable batteries.
- f. Have defective cords replace immediately.
- g. Do not open the battery charger and battery.
- h. Do not fiddle with the charger.
- I. For longer battery life recharge battery before it is fully discharged

VI. LUBRICATION

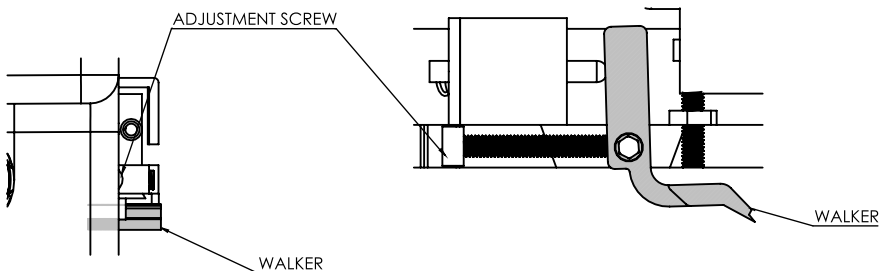
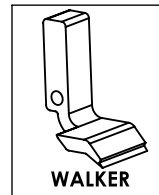
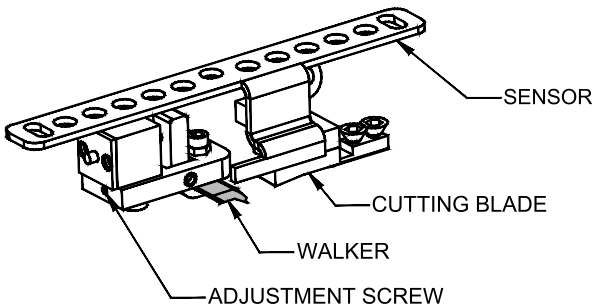


LUBRICANT PARTS

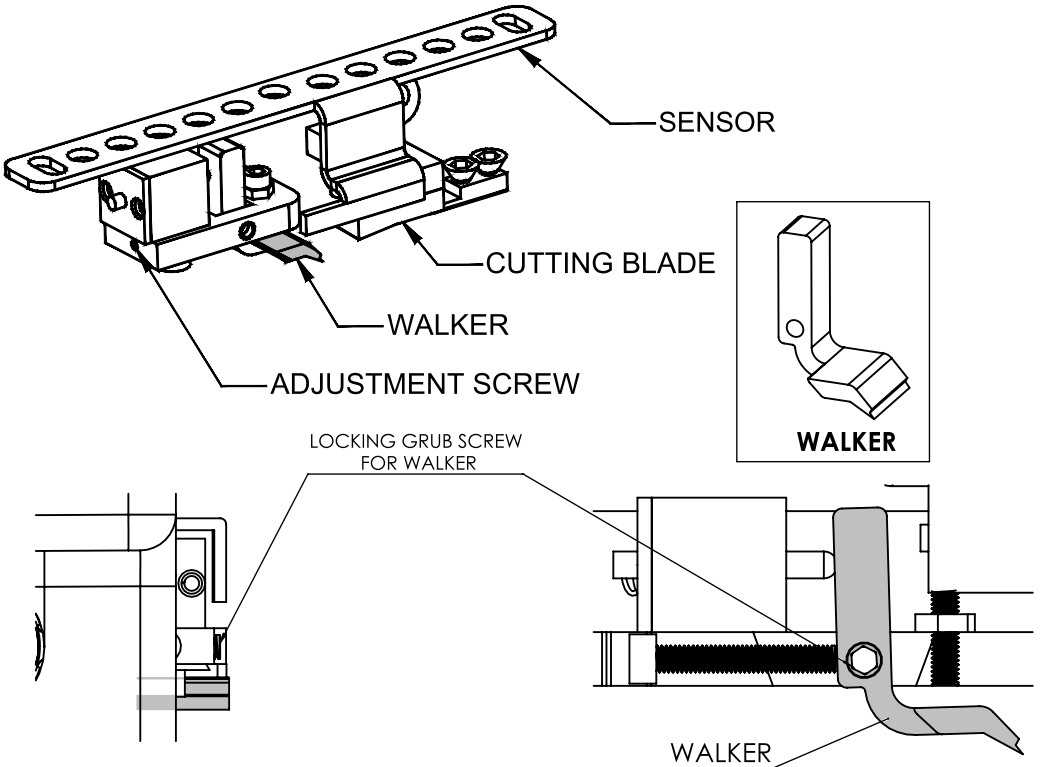
- 1) WALKER
- 2) BLADE
- 3) SLOT -KEY
- 4) CAM ASSLY MECHANISM
- 5) CAM-2ASSLY
- 6) CAM-1 ASSLY
- 7) GUIDE HOLDER
- 8) HANDLE
- 9) FRONT LED LIGHT
- 10) FRONT BLADE MACHANISM

Note:- All open parts should be use thin layer oil.

VII. ADJUSTMENT SCREW FOR WALKER



VIII. LOCKING GRUB SCREW FOR WALKER



Waiver of Liability

Bholanath Precision Engineering Pvt Ltd's general policy does not recommend the use of its products in unapproved and improper applications wherein a failure or malfunction of the product may directly endanger life or cause injury. The user of Bholanath Precision Engineering's products, assumes all risks and liabilities, arising from the use of Bholanath Precision Engineering's products and indemnifies Bholanath Precision Engineering against all damages.

"For details on disclaimers and waivers visit steppermotors.bholanath.in/waiver-of-liability"

WARRANTY CERTIFICATE

Owner Details

Customer Name:-

Address:-

City:-

State:-

Pin Code:-

Country:-

Mobile No:-

Landline No:-

E-mail:-

Machine Details

Machine Serial No :-

Warranty Period:- 2 Years from date of sale

Dealer Stamp :-

Agent/ Distributor :-

Note:- Company is not liable for warranty claims due to damage of machine by external force, mishandling or improper usage